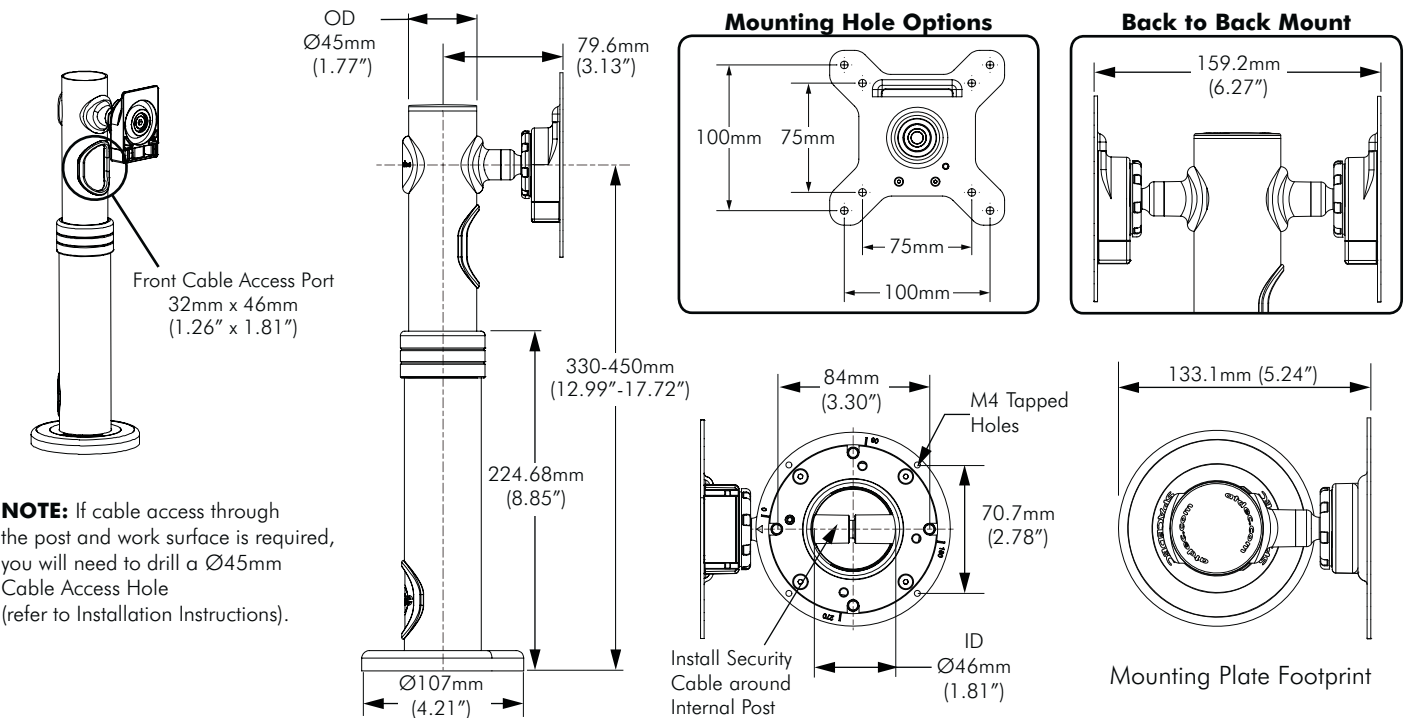


## Dimensions

**NOTE:** This product has been designed to mount 12"(30cm) - 24"(61cm) displays. It will suit VESA compliant displays with 75mmx75mm & 100mmx100mm hole patterns only. It will support displays up to a maximum weight of 20kg (44lbs). The Back to Back Mount will support 2 x 20kg (88lbs) displays.

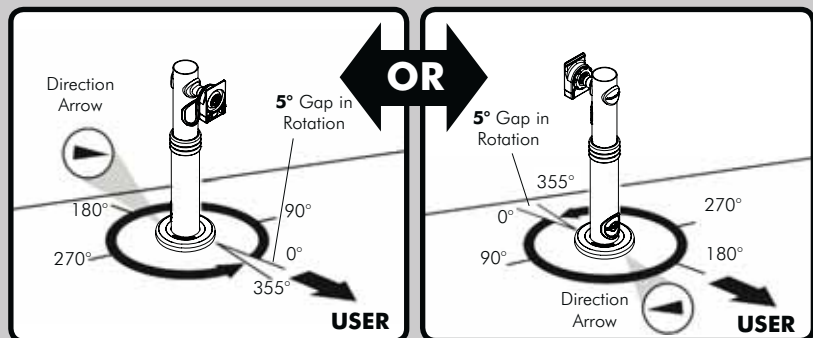


### Rotation

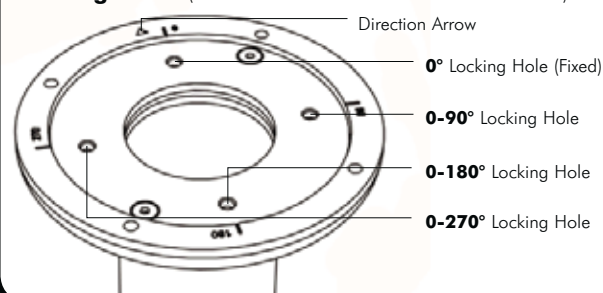
Your POS HA offers 355° of rotation. This can also be limited to suit a specific application. The Direction in which you mount POS HA will determine where the 5° gap in Rotation is located, and how you choose to limit the rotation.

#### Rotation Options

- 0° Rotation (Fixed)
- 0-90° Rotation
- 0-180° Rotation
- 0-270° Rotation
- 0-355° Rotation



### Locking Holes (Refer to Installation Instructions for further details)



### VESA Ball Mount

Each Ball Assembly has 40 degrees rotation about it's central axis.

