



Full motion | Medium to large TV articulated arm TH-3060-UFL

Ultra slim mount
for ultra slim medium to large LED, LCD and plasma televisions

For flexible and sleek wall mounting of a medium or large screen TV, the TH-3060-UFL is the perfect solution. The ultra slim articulated arm has three pivot points for tilt, pan or horizontal adjustment to perfect your screen display to suit your environment. The arm comes pre assembled for a quick and easy installation, and once fitted safely holds your screen less than 49mm from the wall (2") for a streamlined finish. Pre-assembled for quick and easy installation, the latched quick attachment system ensures safe installation with minimal time and effort. Integrated cable management professionally finishes your display.



Mounting hole pattern:
From 200mm to 700mm wide
From 100mm to 500mm high



Maximum weight carrying capacity:
35kg (77lbs)



Product key features:

- Super slim design, allows display to sit only 49mm (1.9") from wall (when folded)
- Allows full range of movement via 3 pivot points
- The display arm can be mounted left or right of the wall plate allowing you to customise your installation to suit your environment
- Adjustable tilt: 5° of upward and 15° of downward tilt
- Adjustable pan (at the mounting head): 90° left and 90° right from the vertical plane*
- Display horizontal adjustment range: 5° left and 5° right
- Maximum arm reach: 625mm (24.5")
- Minimum distance from wall: 49mm (1.9")
- Comes pre-assembled for quick and easy installation

* The degree of pan depends on the size of the monitor/TV.
Maximum allowed display width at full 90° pan is 1117mm (44")



Super slim design, allows display to sit only 49mm (1.9") from wall

The display arm can be mounted left or right of the wall plate allowing you to customise your installation to suit your environment

Latched quick attachment system for safe installation

Offers a full range of movement via three pivot points

Integrated cable management

Flexible viewing angle with display tilt/pan and horizontal adjustment

Universal mounting hole pattern suits a broad range of TVs



Atdec Global www.atdec.com.au
Atdec North America www.atdec.com

Product information

Product Code	Load capacity	Material	Colour
TH-3060-UFL	One display up to 35kg (77lbs)	Powder coated aluminium and steel	Black

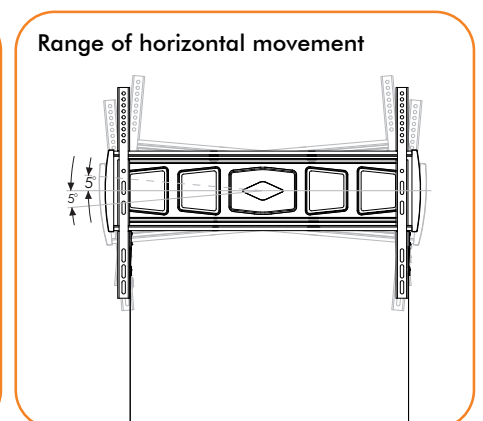
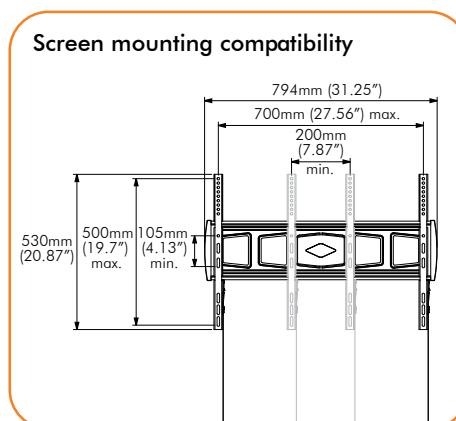
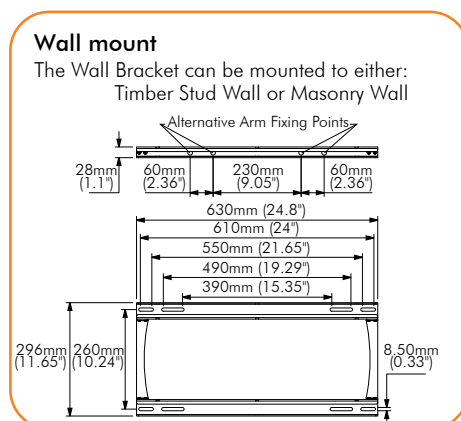
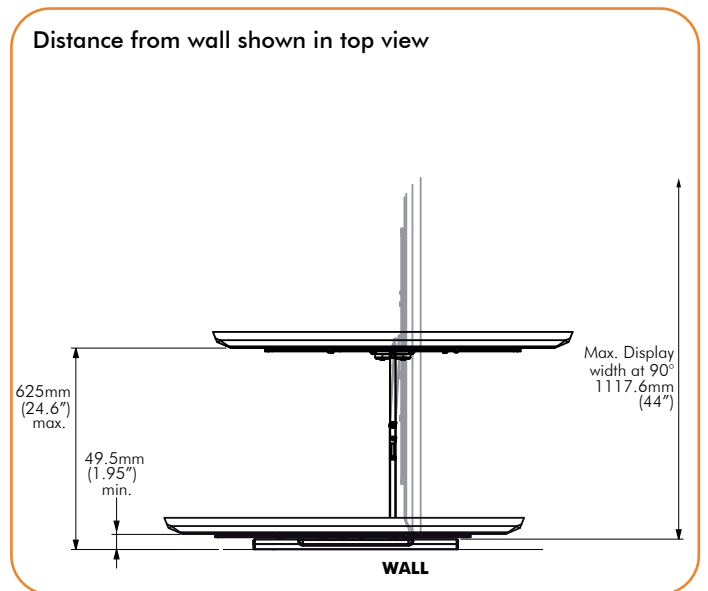
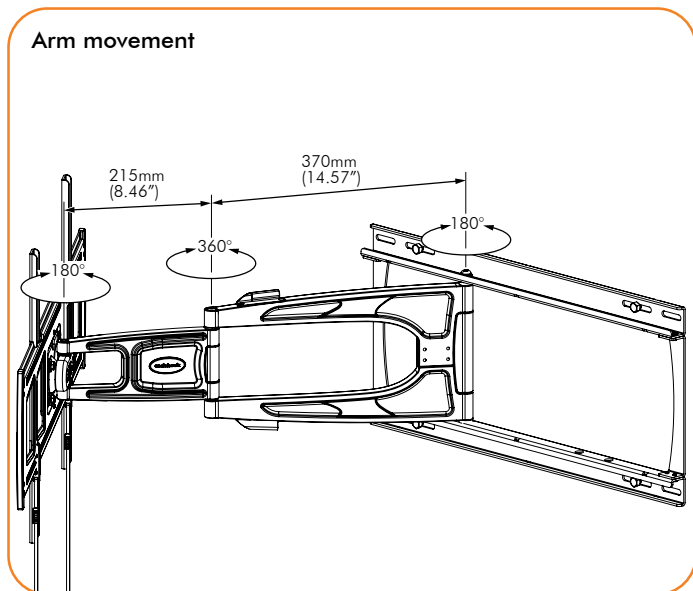
Package information, single unit

Size (L x W x H)	Ship weight	UPC code	Contents
82cm x 33.2cm x 7cm (32.3" x 13.1" x 2.8")	8.6Kg (18.92lbs)	881493007352	All hardware required for installation supplied

Package information, master pack

Size (L x W x H)	Ship weight	UPC code	Units per master pack
84cm x 35cm x 16cm (33.1" x 13.8" x 6.3")	18Kg (39.6lbs)	881493007369	2

Technical drawings



Atdec mounts are designed, developed and tested in Australia. We manufacture an extensive range of display and projector mountings for a variety of user types and situations. While all efforts have been made to ensure the information in this brochure was correct as of the date of printing, we reserve the right to change specifications without notice. Please refer to the website for our full range along with the latest details on specifications, compatibility and dealer location. Atdec and Telehook are registered trademarks with all rights reserved. Copyright July 2012.



Atdec Global www.atdec.com.au
Atdec North America www.atdec.com