

**ProAV universal video wall mount** TH-VWV, TH-VWP-100, TH-VWP-160

Modular, Interchangeable, Upgradeable

The Telehook ProAV universal video wall mounting system is an industry leading modular, interchangeable and upgradeable product range that supports a wide variety of video wall configurations; from a modest 2x2 configuration all the way up to 12x12 and beyond. Its universal display mounting head allows for previously unachievable compatibility with modern video panels. The ProAV range is designed with the needs of public environments and installers in mind; integrating high security features throughout to ensure display security whilst also maintaining ease of installation via the use of clever time saving and safe installation features.



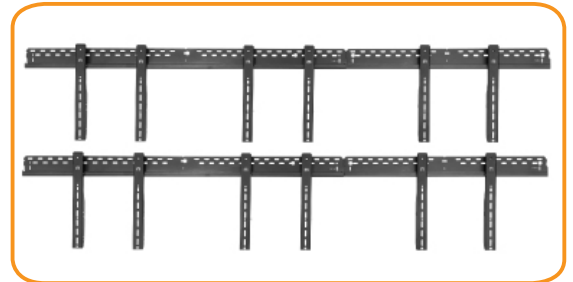
**Mounting hole pattern:**

From 200mm to 400mm high  
Unlimited width



**Maximum weight carrying capacity:**

165kg (363lbs) per mounting bracket



**Product key features:**

- Modular design gives you the freedom to expand your set up as necessary
- Clever installation features
- Simple hook on installation system



Interconnecting wall plates provide alignment assistance to installers

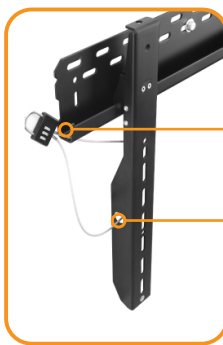


Ultra slim design sits just 44.5mm (1.75") from the wall

+/- 5° of independent horizontal adjustment for fine adjustment



Convenient built in support stand for display maintenance, replacement and cabling

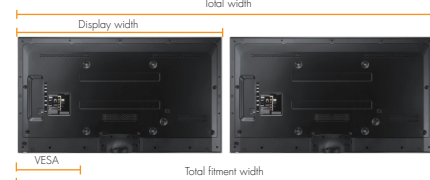


Security fixing points for each display



**Calculating your video wall requirements:**

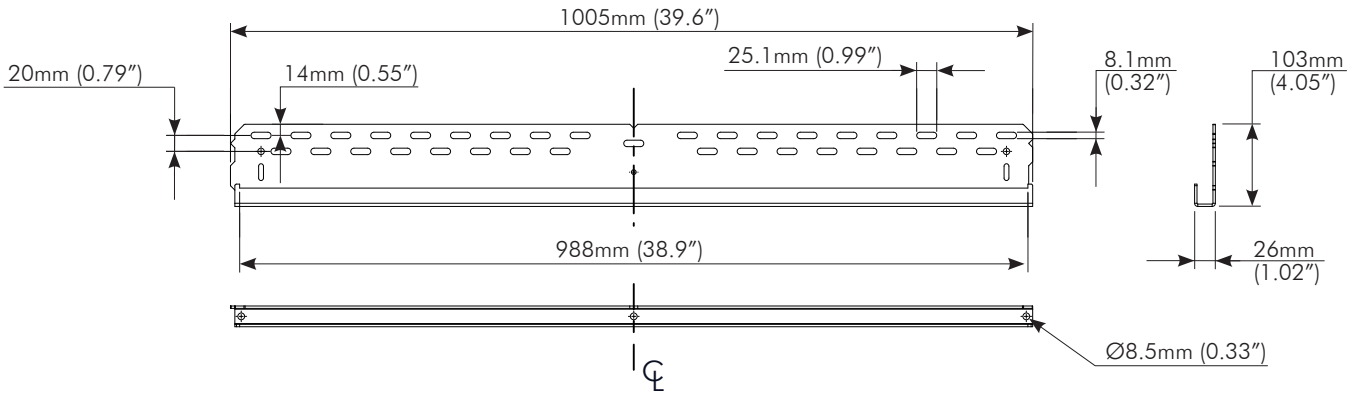
Total width = 2 x display width  
Total fitment width = 1 x display width + horizontal VESA



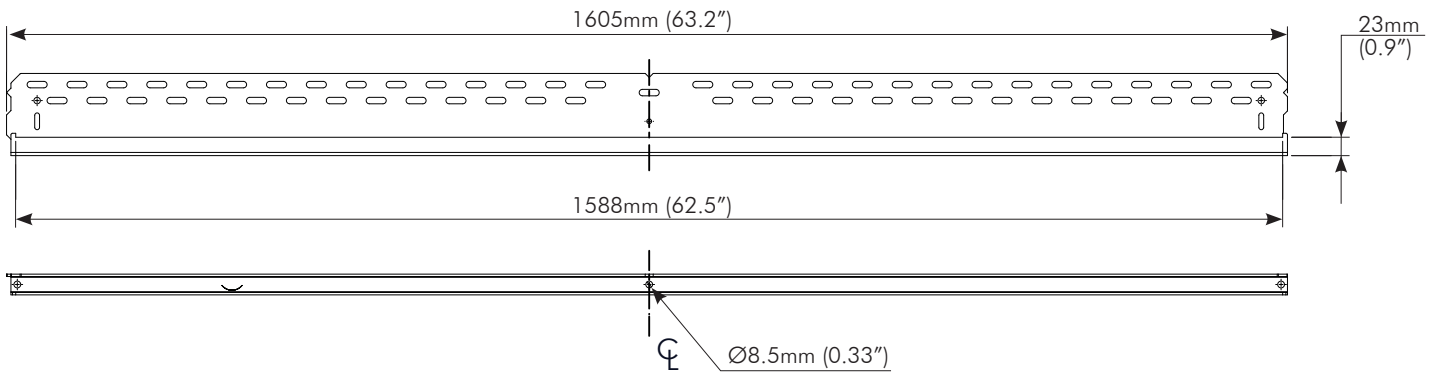
Total width = 3x display width  
Total fitment width = 2x display width + horizontal VESA



### TH-VWP-100 Dimensions



### TH-VWP-160 Dimensions



### TH-VWV Dimensions

