




Flat screen ceiling mount | Tilt TH-3070-CTLW  
TH-3070-CTSW

The Telehook TH-3070-CT is a medium to heavy weight ceiling mount designed to offer the ultimate in versatility and universal compatibility. It is the perfect solution for commercial displays, offering 360° of rotation around the pole, an extended drop length and 30° of adjustable tilt. It also offers portrait display installation, advanced cable management features and ceiling mount covers to ensure an elegant and tidy look.

 Mounting hole pattern:  
from 200mm to 800mm wide  
from 200mm to 500mm high

 Maximum weight carrying capacity:  
65kg (143lbs) per display



Product key features:

- Ideal solution for any digital signage needs
- Durable steel construction
- Comes with all mounting hardware
- Innovative features to provide the ultimate in versatility and elegance



Available pole lengths:  
TH-3070-CTLW:  
from 1050mm (41.3") to 1900mm (74.8")  
TH-3070-CTSW:  
from 550mm (21.6") to 900mm (35.4")

Display can be installed  
in either landscape  
or portrait mode

30° of adjustable tilt

Telescopic pole

Fixed or 360° display  
rotation around pole

Advanced cable management

Extra ceiling cover  
for false ceilings

Universal mounting head  
supports a large range  
of displays



Atdec Global [www.atdec.com.au](http://www.atdec.com.au)  
Atdec North America [www.atdec.com](http://www.atdec.com)

## Product information

Product Code	Load capacity	Material	Colour
TH-3070-CTLW TH-3070-CTSW	65kg (143lbs) per display	Steel, aluminium	White

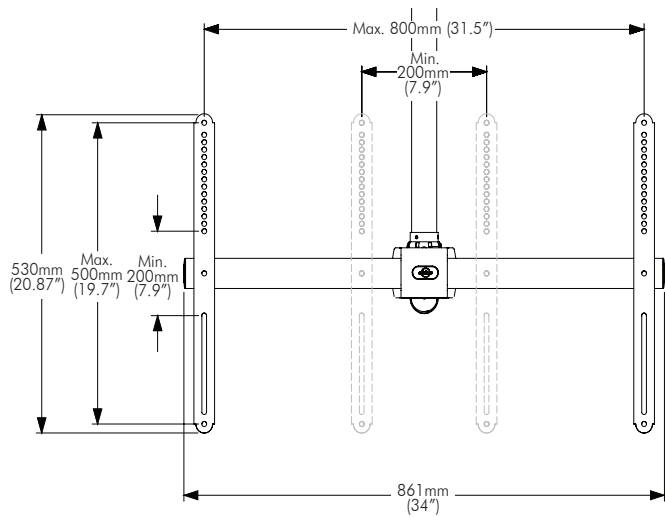
## Package information, single unit

Product	Size	Ship weight	UPC code	Contents
TH-3070-CTLW TH-3070-CTSW	106cm x 30cm x 15cm (41.7" x 11.8" x 5.9") 93cm x 30cm x 15cm (36.6" x 11.8" x 5.9")	15kg (33lbs) 12kg (26.4lbs)	881493009424 881493009431	All hardware required for installation supplied

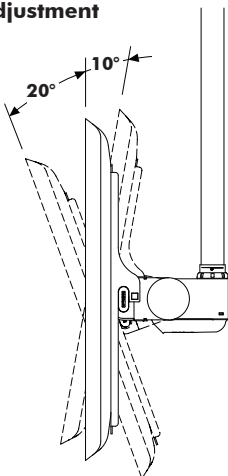
No master pack available, ships as single unit only

## Technical drawings

### Screen Mounting Adjustment

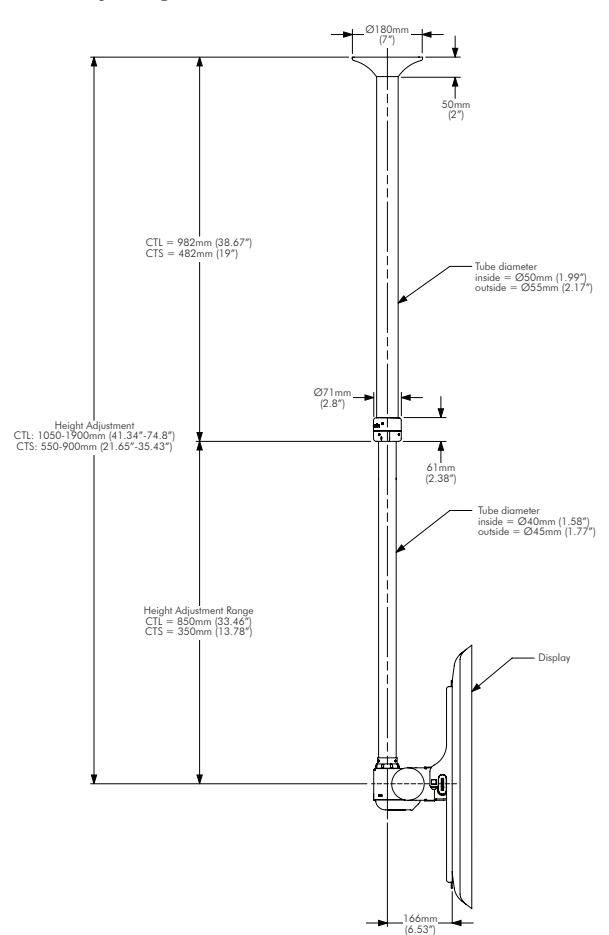


### Tilt Adjustment



**NOTE:** To achieve the maximum 20° downward tilt, THE MAXIMUM HEIGHT OF A DISPLAY IS 1143mm (45").  
NB: For Displays greater than 1143mm, there will be a reduction in the achievable tilt angle.

### Pole Drop Length



Atdec mounts are designed, developed and tested in Australia. While all efforts have been made to ensure the information in this brochure was correct as of the date of printing, we reserve the right to change specifications without notice. Please refer to the website for our full range along with the latest details on specifications, compatibility and dealer location. Atdec and Telehook are registered trademarks with all rights reserved. Copyright August 2014.



Atdec Global [www.atdec.com.au](http://www.atdec.com.au)  
Atdec North America [www.atdec.com](http://www.atdec.com)