

Classis BM 32 / 33 / 34

Boundary Microphones



Classis BM 32 B



Classis BM 33 B



Classis BM 34 SE

FEATURES

- RFI-proof due to Scudio technology
- Classis BM 32/34 with half-cardioid polar pattern
- Classis BM 33 with half-spherical polar pattern
- Flat, wide range frequency response
- High-quality reproduction of speech
- Unobtrusive design
- Ceiling or tabletop mounting
- Fast and easy installation

APPLICATIONS

The Classis BM 32 / 33 / 34 condenser boundary microphones have been designed for flush mounting into tabletops or ceilings. The microphones have been designed for applications such as tele/video conferencing, recording or amplification of round table discussions and wherever the microphone needs to be as unobtrusive as possible.

All microphones feature the innovative Scudio technology, making the microphones absolutely insensitive to wireless communication devices such as mobile phones.

The Classis BM 32 has a half-cardioid polar pattern, which increases the gain-before-feedback and decreases the amount of diffuse ambience. The Classis BM 34 corresponds to the Classis BM 32, but is provided with a bass roll-off filter. The Classis BM 33 has a half-spherical polar pattern making it ideal for large rooms.

The high sensitivity guarantees a constant output level even from long distance sources.

Elastic bearing rings achieve mechanical isolation from the mounting surface and therefore offer effective sound isolation of the microphone.

SUPPLIED ACCESSORY

- Elastic bearing rings

VERSIONS

Classis BM 32 B	Half-cardioid, black	Order # 489.395
Classis BM 32 W	white	Order # 489.409
Classis BM 32 SE	silver metallic effect, microphone basket made of acuraLine® Topmesh double-layer fine-meshed wire weave.	Order # 489.387
Classis BM 32 E	Half-cardioid, black, without pre-amp, in conjunction with MCS 563 L, MCS 553 L, MCS-D 3643	Order # 721.913
Classis BM 33 B	Half-spherical, black	Order # 489.425
Classis BM 33 W	white	Order # 489.433
Classis BM 33 SE	silver metallic effect, microphone basket made of acuraLine® Topmesh double-layer fine-meshed wire weave.	Order # 489.417
Classis BM 34 B	Half-cardioid, black, bass roll-off filter	Order # 489.360
Classis BM 34 W	white	Order # 489.379
Classis BM 34 SE	silver metallic effect, microphone basket made of acuraLine® Topmesh double-layer fine-meshed wire weave.	Order # 489.352

INSTALLATION

- Mounting hole with elastic bearing rings: Ø 24 mm (15/16")
- Mounting hole without elastic bearing rings: Ø 20 mm (13/16")
- Max. table /ceiling thickness: 57 mm (2.25")

Classis BM 32 / 33 / 34

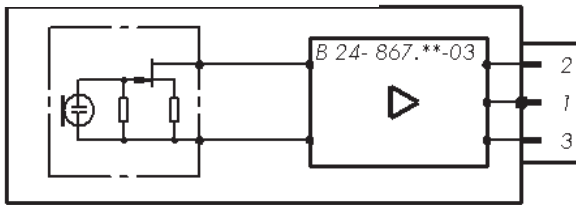
TECHNICAL SPECIFICATIONS

	Classis BM 32	Classis BM 33	Classis BM 34
Transducer type	Condenser	Condenser	Condenser
Frequency response	50 - 18,000 Hz	50 - 20,000 Hz	150 - 18,000 Hz
Polar pattern	Half-cardioid	Half-spherical	Half-cardioid
Open circuit voltage at 1 kHz (0 dB = 1 V/Pa)	19 mV/Pa = -34.4 dBV	19 mV/Pa = -34.4 dBV	19 mV/Pa = -34.4 dBV
Nominal impedance	< 200 Ω	400 Ω	200 Ω
Load impedance	≥ 1 kΩ	≥ 2 kΩ	≥ 1 kΩ
S/N ratio rel. to 1 Pa	69 dB [A]	68 dB [A]	60 dB
Noise voltage	6.0 μV [A]	10 μV [A]	
Max. sound pressure level	107 dB [SPL @ 1% THD]	117 dB [SPL @ 1% THD]	
Equivalent SPL	25 dB [A]	26 dB [A]	26 dB
Phantom supply	8 - 52 V	8 - 52 V	8 - 52 V
Current consumption	2.0 mA	2.0 mA	3.4 mA
Connection	3-pin XLR	3-pin XLR	3-pin XLR
Weight (with nut and bearing rings)	approx. 85 g [0.19 lbs]	approx. 85 g [0.19 lbs]	approx. 85 g [0.19 lbs]

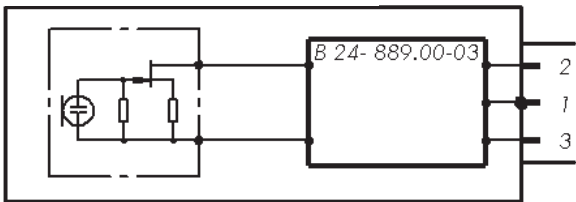
WIRING DIAGRAMS

Positive pressure produces positive voltage on pin 2.

Classis BM 32/33/34



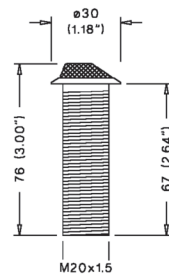
Classis BM 32 E



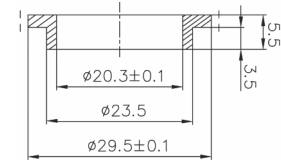
DIMENSIONS

In millimetres (inches in brackets)

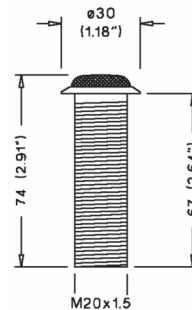
Classis BM 32



Bearing ring



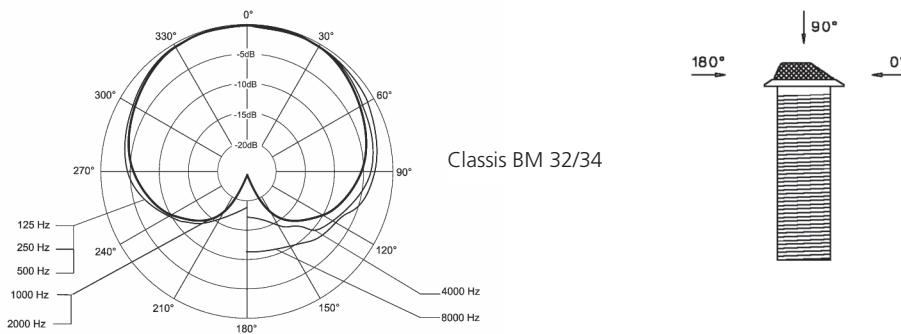
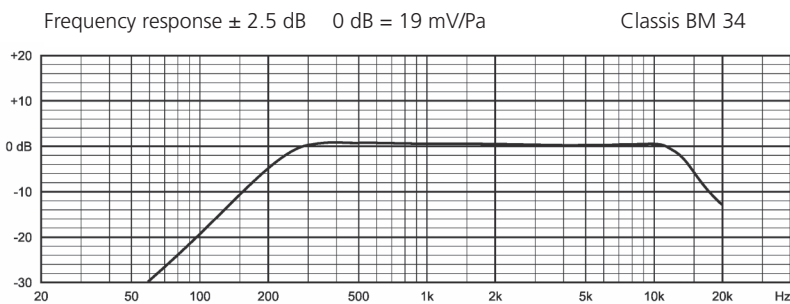
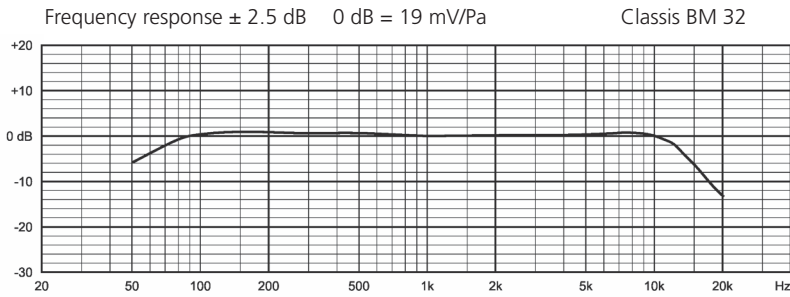
Classis BM 33



Classis BM 32 / 33 / 34

FREQUENCY RESPONSE & POLAR PATTERN

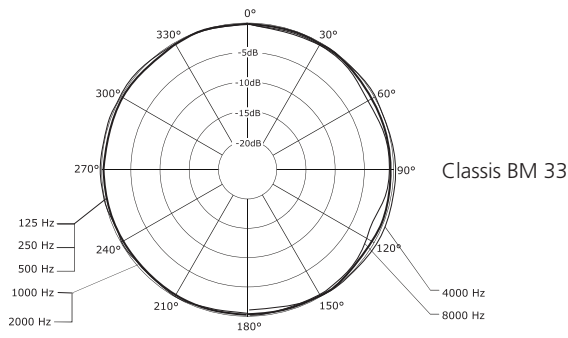
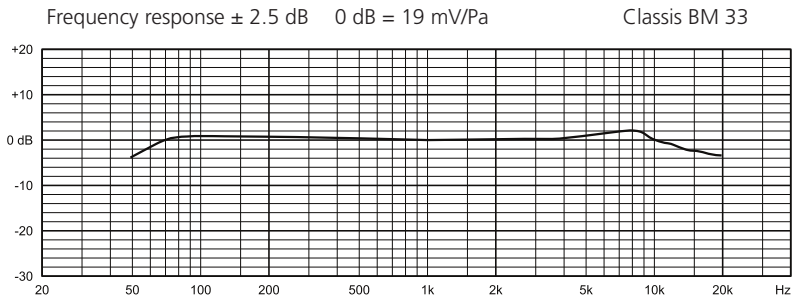
This frequency response curve (measuring tolerance ± 2.5 dB) and polar pattern correspond to a typical production sample for this microphone.



Classis BM 32 / 33 / 34

FREQUENCY RESPONSE & POLAR PATTERN

This frequency response curve (measuring tolerance ± 2.5 dB) and polar pattern correspond to a typical production sample for this microphone.



Classis BM 32 / 33 / 34

ARCHITECT'S SPECIFICATIONS

The cardioid electret condenser boundary microphone shall be a high-quality installation microphone for tabletops or ceilings. The microphone shall be provided with an integrated amplifier and power supply. The SCUDIO technology shall eliminate interferences of other wireless communication devices. The microphone shall be powered by phantom power between 8 V and 52 V. The filter in the microphone grille shall eliminate wind and pop noise. The fully metal housing shall provide a M20 x 1.5 thread with fastening nut and black metal microphone grille. The delivery shall include elastic bearing rings to compensate mechanical noise and vibration. The frequency response shall be 50 Hz - 18 kHz. The open circuit voltage shall be 19 mV/Pa. The nominal impedance shall be 200 ohms. The lower part of the housing shall provide a 3-pin male XLR connector. The total length shall be 76 mm [3"], the shaft length shall be 67 mm [2.6"], the shaft diameter shall be 20 mm [0.8"] (M20 x 1.5 thread with fastening nut), the head diameter shall be 30 mm [1.2"], the length of the head shall be 9 mm [0.4"]. The net weight shall be 0.085 kg [0.2 lbs].

Manufacturer: beyerdynamic
Type: Classis BM 32 B

The cardioid electret condenser boundary microphone shall be a high-quality installation microphone for tabletops or ceilings. The microphone shall be provided with an integrated amplifier and power supply. The SCUDIO technology shall eliminate interferences of other wireless communication devices. The microphone shall be powered by phantom power between 8 V and 52 V. The filter in the microphone grille shall eliminate wind and pop noise. The fully metal housing shall provide a M20 x 1.5 thread with fastening nut and a microphone grille with silver metal-look made of double-layer, fine-meshed acuraLINE® wire mesh. The delivery shall include elastic bearing rings to compensate mechanical noise and vibration. The frequency response shall be 50 Hz - 18 kHz. The open circuit voltage shall be 19 mV/Pa. The nominal impedance shall be 200 ohms. The lower part of the housing shall provide a 3-pin male XLR connector. The total length shall be 76 mm [3"], the shaft length shall be 67 mm [2.6"], the shaft diameter shall be 20 mm [0.8"] (M20 x 1.5 thread with fastening nut), the head diameter shall be 30 mm [1.2"], the length of the head shall be 9 mm [0.4"]. The net weight shall be 0.085 kg [0.2 lbs].

Manufacturer: beyerdynamic
Type: Classis BM 32 SE

The cardioid electret condenser boundary microphone shall be a high-quality installation microphone for tabletops or ceilings. The microphone shall be provided with an integrated amplifier and power supply. The SCUDIO technology shall eliminate interferences of other wireless communication devices. The microphone shall be powered by phantom power between 8 V and 52 V. The filter in the microphone grille shall eliminate wind and pop noise. The fully metal housing shall provide a M20 x 1.5 thread with fastening nut and white metal microphone grille. The delivery shall include elastic bearing rings to compensate mechanical noise and vibration. The frequency response shall be 50 Hz - 18 kHz. The open

circuit voltage shall be 19 mV/Pa. The nominal impedance shall be 200 ohms. The lower part of the housing shall provide a 3-pin male XLR connector. The total length shall be 76 mm [3"], the shaft length shall be 67 mm [2.6"], the shaft diameter shall be 20 mm [0.8"] (M20 x 1.5 thread with fastening nut), the head diameter shall be 30 mm [1.2"], the length of the head shall be 9 mm [0.4"]. The net weight shall be 0.085 kg [0.2 lbs].

Manufacturer: beyerdynamic
Type: Classis BM 32 W

The omnidirectional electret condenser boundary microphone shall be a high-quality installation microphone for tabletops or ceilings. The microphone shall be provided with an integrated amplifier and power supply. The SCUDIO technology shall eliminate interferences of other wireless communication devices. The microphone shall be powered by phantom power between 8 V and 52 V. The filter in the microphone grille shall eliminate wind and pop noise. The fully metal housing shall provide a M20 x 1.5 thread with fastening nut and black metal microphone grille. The delivery shall include elastic bearing rings to compensate mechanical noise and vibration. The frequency response shall be 50 Hz - 18 kHz. The open circuit voltage shall be 19 mV/Pa. The nominal impedance shall be 400 ohms. The lower part of the housing shall provide a 3-pin male XLR connector. The total length shall be 76 mm [3"], the shaft length shall be 67 mm [2.6"], the shaft diameter shall be 20 mm [0.8"] (M20 x 1.5 thread with fastening nut), the head diameter shall be 30 mm [1.2"], the length of the head shall be 9 mm [0.4"]. The net weight shall be 0.085 kg [0.2 lbs].

Manufacturer: beyerdynamic
Type: Classis BM 33 B

The omnidirectional electret condenser boundary microphone shall be a high-quality installation microphone for tabletops or ceilings. The microphone shall be provided with an integrated amplifier and power supply. The SCUDIO technology shall eliminate interferences of other wireless communication devices. The microphone shall be powered by phantom power between 8 V and 52 V. The filter in the microphone grille shall eliminate wind and pop noise. The fully metal housing shall provide a M20 x 1.5 thread with fastening nut and a microphone grille with silver metal-look made of double-layer, fine-meshed acuraLINE® wire mesh. The delivery shall include elastic bearing rings to compensate mechanical noise and vibration. The frequency response shall be 50 Hz - 18 kHz. The open circuit voltage shall be 19 mV/Pa. The nominal impedance shall be 400 ohms. The lower part of the housing shall provide a 3-pin male XLR connector. The total length shall be 76 mm [3"], the shaft length shall be 67 mm [2.6"], the shaft diameter shall be 20 mm [0.8"] (M20 x 1.5 thread with fastening nut), the head diameter shall be 30 mm [1.2"], the length of the head shall be 9 mm [0.4"]. The net weight shall be 0.085 kg [0.2 lbs].

Manufacturer: beyerdynamic
Type: Classis BM 33 SE

Classis BM 32 / 33 / 34

ARCHITECT'S SPECIFICATIONS

The omnidirectional electret condenser boundary microphone shall be a high-quality installation microphone for tabletops or ceilings. The microphone shall be provided with an integrated amplifier and power supply. The SCUDIO technology shall eliminate interferences of other wireless communication devices. The microphone shall be powered by phantom power between 8 V and 52 V. The filter in the microphone grille shall eliminate wind and pop noise. The fully metal housing shall provide a M20 x 1.5 thread with fastening nut and white metal microphone grille. The delivery shall include elastic bearing rings to compensate mechanical noise and vibration. The frequency response shall be 50 Hz - 18 kHz. The open circuit voltage shall be 19 mV/Pa. The nominal impedance shall be 400 ohms. The lower part of the housing shall provide a 3-pin male XLR connector. The total length shall be 76 mm [3"], the shaft length shall be 67 mm [2.6"], the shaft diameter shall be 20 mm [0.8"] (M20 x 1.5 thread with fastening nut), the head diameter shall be 30 mm [1.2"], the length of the head shall be 9 mm [0.4"]. The net weight shall be 0.085 kg [0.2 lbs].

Manufacturer: beyerdynamic
Type: Classis BM 33 W

The cardioid electret condenser boundary microphone shall be a high-quality installation microphone for tabletops or ceilings. The microphone shall be provided with an integrated amplifier and power supply with bass roll-off filter. The SCUDIO technology shall eliminate interferences of other wireless communication devices. The microphone shall be powered by phantom power between 8 V and 52 V. The filter in the microphone grille shall eliminate wind and pop noise. The fully metal housing shall provide a M20 x 1.5 thread with fastening nut and black metal microphone grille. The delivery shall include elastic bearing rings to compensate mechanical noise and vibration. The frequency response shall be 50 Hz - 18 kHz. The open circuit voltage shall be 19 mV/Pa. The nominal impedance shall be 200 ohms. The lower part of the housing shall provide a 3-pin male XLR connector. The total length shall be 76 mm [3"], the shaft length shall be 67 mm [2.6"], the shaft diameter shall be 20 mm [0.8"] (M20 x 1.5 thread with fastening nut), the head diameter shall be 30 mm [1.2"], the length of the head shall be 9 mm [0.4"]. The net weight shall be 0.085 kg [0.2 lbs].

Manufacturer: beyerdynamic
Type: Classis BM 34 B

The cardioid electret condenser boundary microphone shall be a high-quality installation microphone for tabletops or ceilings. The microphone shall be provided with an integrated amplifier and power supply with bass roll-off filter. The SCUDIO technology shall eliminate interferences of other wireless communication devices. The microphone shall be powered by phantom power between 8 V and 52 V. The filter in the microphone grille shall eliminate wind and pop noise. The fully metal housing shall provide a M20 x 1.5 thread with fastening nut and a microphone grille with silver metal-look made of double-layer, fine-meshed acuraLINE® wire mesh. The delivery shall include elastic bearing rings to compensate mechanical noise and vibration. The frequency response shall be 50 Hz - 18 kHz. The open circuit voltage shall be 19 mV/Pa. The nominal impedance shall be 200 ohms. The lower part of the housing shall provide a 3-pin male XLR connector. The total length shall be 76 mm [3"], the shaft length shall be 67 mm [2.6"], the shaft diameter shall be 20 mm [0.8"] (M20 x 1.5 thread with fastening nut), the head diameter shall be 30 mm [1.2"], the length of the head shall be 9 mm [0.4"]. The net weight shall be 0.085 kg [0.2 lbs].

Manufacturer: beyerdynamic
Type: Classis BM 34 SE

The cardioid electret condenser boundary microphone shall be a high-quality installation microphone for tabletops or ceilings. The microphone shall be provided with an integrated amplifier and power supply with bass roll-off filter. The SCUDIO technology shall eliminate interferences of other wireless communication devices. The microphone shall be powered by phantom power between 8 V and 52 V. The filter in the microphone grille shall eliminate wind and pop noise. The fully metal housing shall provide a M20 x 1.5 thread with fastening nut and white metal microphone grille. The delivery shall include elastic bearing rings to compensate mechanical noise and vibration. The frequency response shall be 50 Hz - 18 kHz. The open circuit voltage shall be 19 mV/Pa. The nominal impedance shall be 200 ohms. The lower part of the housing shall provide a 3-pin male XLR connector. The total length shall be 76 mm [3"], the shaft length shall be 67 mm [2.6"], the shaft diameter shall be 20 mm [0.8"] (M20 x 1.5 thread with fastening nut), the head diameter shall be 30 mm [1.2"], the length of the head shall be 9 mm [0.4"]. The net weight shall be 0.085 kg [0.2 lbs].

Manufacturer: beyerdynamic
Type: Classis BM 34 W