

Classis OM 302 / 304

Gooseneck Microphones



FEATURES

- RFI-proof due to Scudio™ technology
- Supercardioid polar pattern
- High gain-before-feedback
- Flat, wide range frequency response
- High-quality reproduction of speech and music
- Flexible gooseneck for optimum positioning
- Unobtrusive design
- For fixed or hanging ceiling mounting
- For standard installation or flush-mount sockets

APPLICATIONS

The Classis OM 302/304 gooseneck microphone is designed for ceiling mounting. It is available in two versions, the Classis OM 302 has a short flexible gooseneck and is ideal for installations with a low ceiling. The Classis OM 304 has a short flexible gooseneck with an 8 metre (25 ft.) cable for any hanging application, the cable can be easily shortened for optimal positioning. Both microphones terminate in a single gang plate for easy installation into a standard electrical box.

The short, flexible gooseneck allows optimal positioning. The Classis OM 302 and Classis OM 304 are suited for applications such as tele/video conferencing, choir miking, distance learning and wherever high quality speech or music reproduction/recording is required. For users outside the USA the microphones can be delivered also with a single gang plate for a standard electrical box. All microphones feature the innovative Scudio™ technology, making the microphones absolutely insensitive to wireless communication devices such as mobile phones.

SUPPLIED ACCESSORY

WS 300 W Wind shield, white. Order # 722.774

VERSIONS

- Classis OM 302 Condenser gooseneck microphone, white, for mounting to the ceiling into standard installation sockets (flush-mounted / cavity socket), diameter 60 mm [2.4"] . . . Order # 489.263
- Classis OM 302 US Condenser gooseneck microphone, white, for mounting to the ceiling into US installation sockets (flush-mounted / cavity socket), 95 mm x 52 mm [3.7" x 2"] Order # 489.255
- Classis OM 304 Condenser gooseneck microphone, white, with 8 m [25 ft] long cable, for mounting to the ceiling into standard installation sockets (flush-mounted / cavity socket), diameter 60 mm [2.4"] . . . Order # 489.298
- Classis OM 304 US Condenser gooseneck microphone, white, with 8 m [25 ft] long cable, for mounting to the ceiling, into US installation sockets (flush-mounted / cavity socket), 95 mm x 52 mm [3.7" x 2"] Order # 489.271

Classis OM 302 / 304

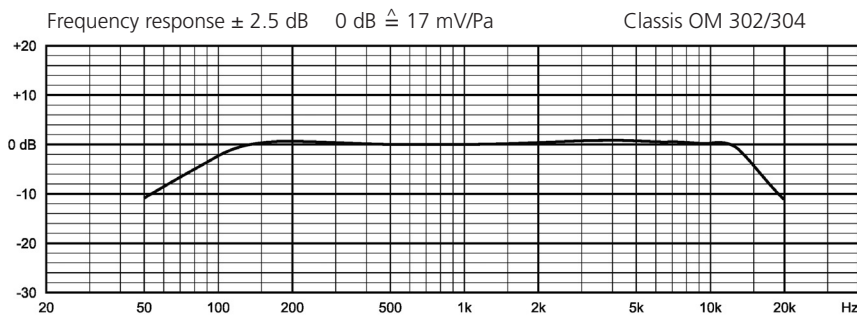
TECHNICAL SPECIFICATIONS

Transducer type Condenser
 (Back electret)
 Polar pattern Supercardioid
 Frequency response 50 - 19,000 Hz
 Open circuit voltage at 1 kHz 17 mV
 Nominal output impedance < 200 Ω
 Load impedance ≥ 1 kΩ
 Signal-to-noise-ratio rel. to 1 Pa /
 noise voltage 71 dB [A] / 5.0 μV [A]

Maximum sound pressure level 107 dB [SPL @ 1% THD]
 Equivalent SPL 23 dB [A]
 Supply voltage 8 - 52 V phantom
 Power consumption 3.4 mA
 Weight
 OM 302 approx. 100 g [0.22 lbs]
 OM 304 approx. 140 g [0.31 lbs]

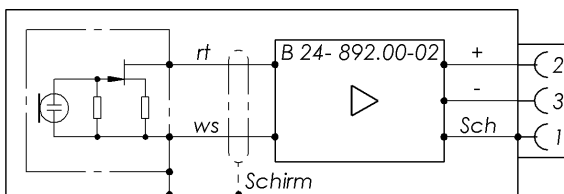
FREQUENCY RESPONSE & POLAR PATTERN

This frequency response curve and polar pattern correspond to a typical production sample for this microphone.

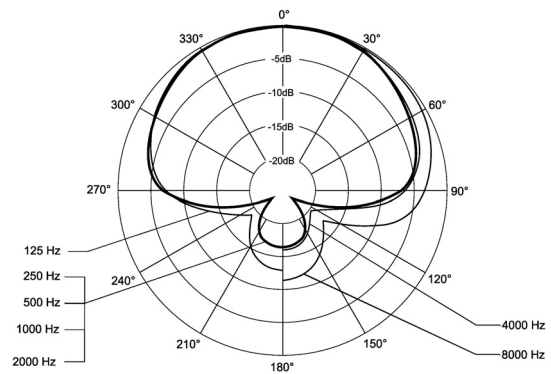


WIRING DIAGRAM

Classis OM 302/302 US / Classis OM 304/304 US



rt = red
ws = white
Sch / *Schirm* = shield



DIMENSIONS

In millimetres (inches in brackets)

